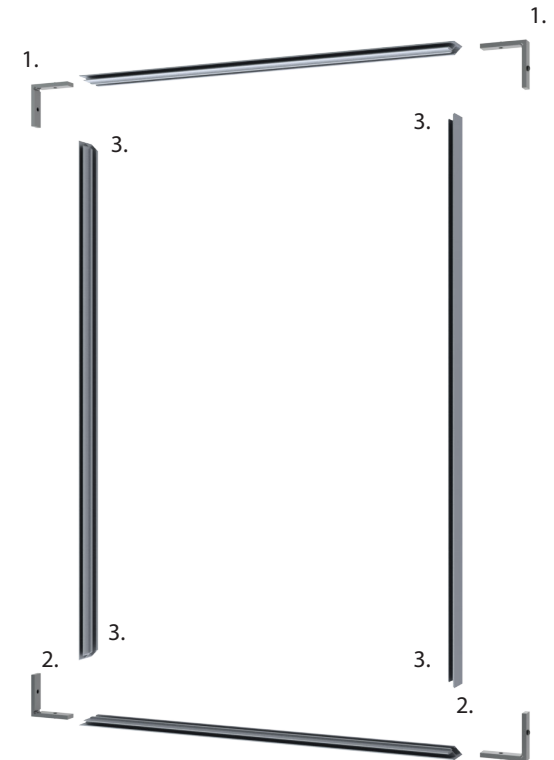
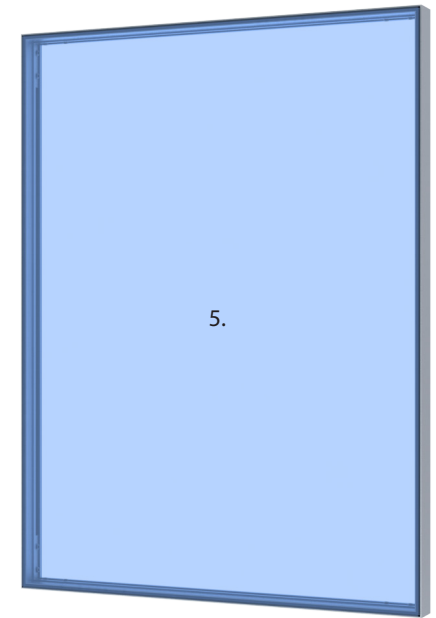
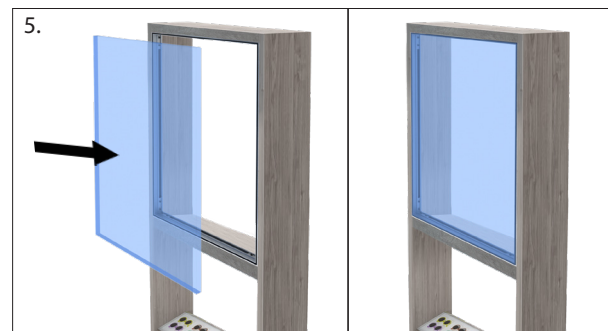
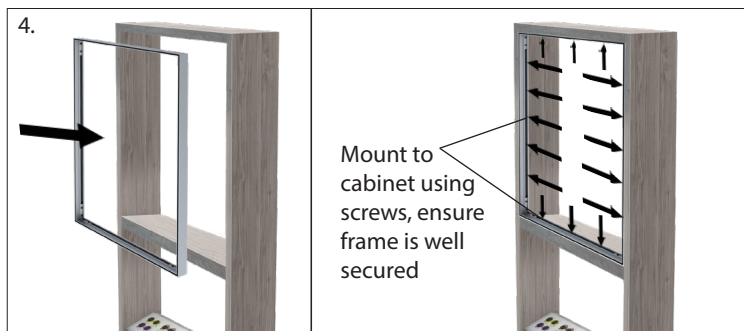
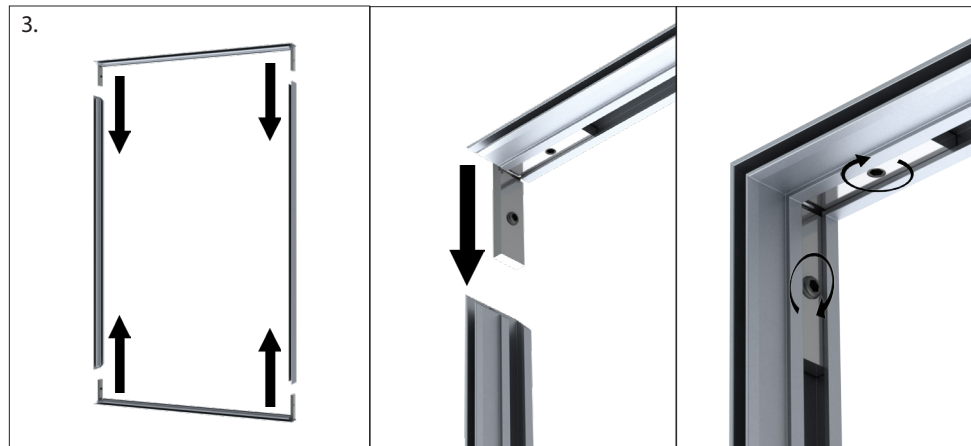
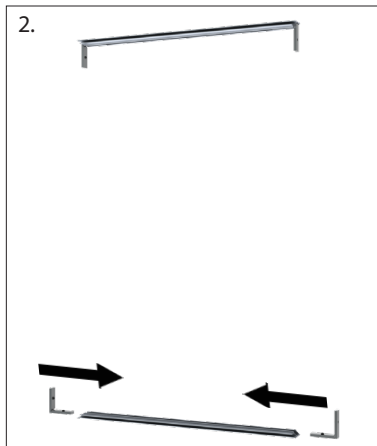
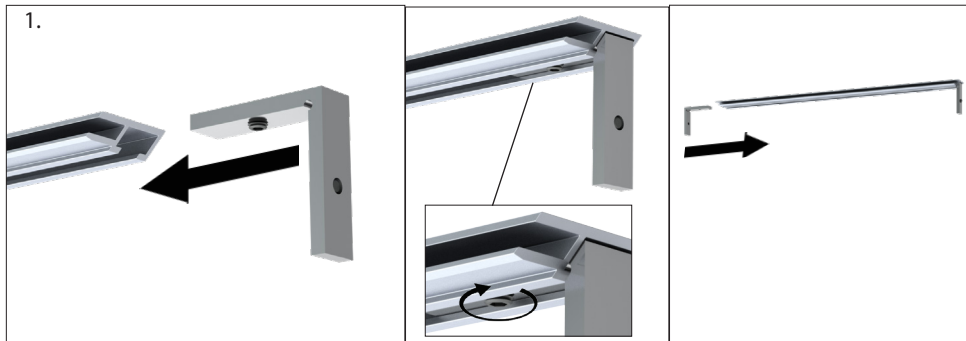


Charisma Cabinet Frame™ - XCAB Series

1. Insert the corner bracket into the slot of one frame side as shown. Using the hex key provided, loosely tighten one screw so the bracket does not slip out. Attach the next bracket pair to the opposite end of the same frame side.
2. Repeat step 1 for the opposite frame side
3. Insert the brackets of the one frame side into frame sides without brackets. Repeat for opposite frame side. Fully tighten all screws.
4. Mount the frame to the cabinet structure, using screws and anchors appropriate to your environment. Ensure frame is well secured and supported on all 4 sides, as graphic will pull on frame.
5. Install the graphic per the instructions on the next page.



XCAB1824 shown

Charisma Cabinet Frame™ - XCAB Series

1. To install the graphic, take the corner with the pull tag on it and press about 6"-10" of silicone into the frame channel corner A. Repeat for the opposite corner B. Repeat for the next corner C. Lastly, repeat for the final corner D.
2. After all corners are pressed in, press the silicone into the frame channel at the mid-points on all four sides.
3. Press silicone into frame evenly between the corner and midpoints.
This prevents the graphic from bunching up or stretching too much and will ensure a smooth and tight fit.
4. To remove the graphic from the frame, simply pull up on the pull tag.

